

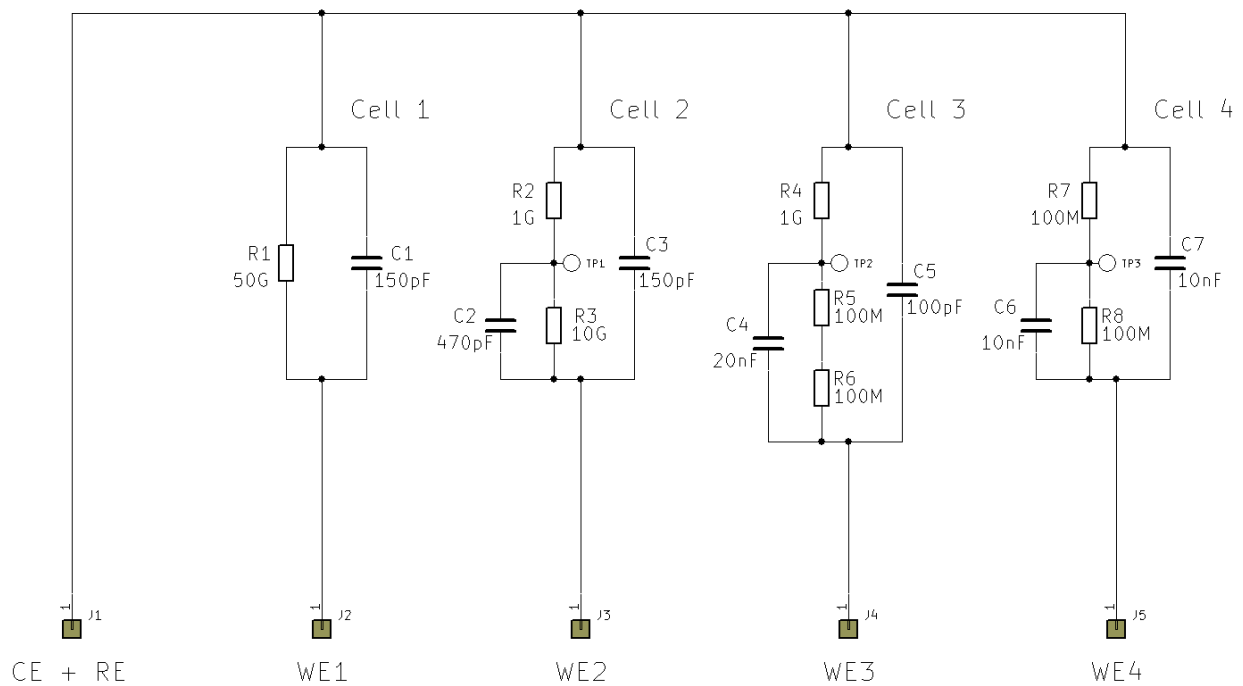
# RECORR QCQ Hi Z dummy cell

## Calibration record

Serial number: 1-01/19

Date: 19/04/16

Schematic:



Calibration values at 25°C:

	R1	R2	R3	R4	R5+R6	R7	R8
<b>Nominal:</b>	50 GΩ±25% 0..-1000ppm/°C	1 GΩ±5% 0..-2000ppm/°C	10 GΩ±25% 0..-2000ppm/°C	1 GΩ±5% 0..-2000ppm/°C	200 MΩ±5% ±300ppm/°C	100 MΩ±5% ±300ppm/°C	100 MΩ±5% ±300ppm/°C
<b>Measured:</b>	<b>66.7 GΩ</b>	<b>1.072 GΩ</b>	<b>9.91 GΩ</b>	<b>0.992 GΩ</b>	<b>203.1 MΩ</b>	<b>100.4 MΩ</b>	<b>99.8 MΩ</b>
<b>Accuracy:</b>	±0.5%	±0.2%	±0.2%	±0.2%	±0.2%	±0.2%	±0.2%

Note: All capacitors have ±1% tolerance and 50 V nominal voltage